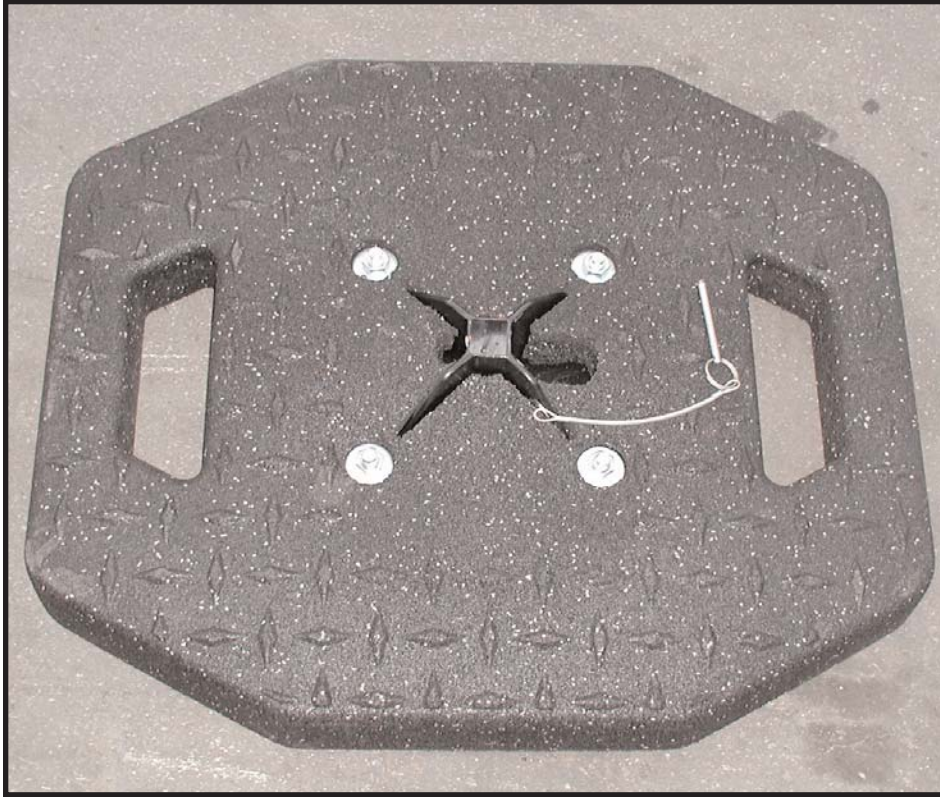


ROLL UP SIGN STAND BASE TD12550 SERIES

MEETS MUTCD STANDARDS



FEATURES:

- Curbside Profile keeps base out of traffic.
- Molded-In Handles for Easy Carry.
- 38lb Base Weight requires NO additional Ballasting.
- Injection Molded Insert won't RUST, CORRODE, or DISTORT from repeated use.
- Accepts vertical cross brace from any manufacturer of roll up signs.
- Recycled Rubber Base resists movement.
- After repeated impacts base is completely re-usable due to it's unique design.

SPECIFICATIONS:

Weight: 38 lbs.

Dimensions: 22" x 25" x 4"

Another Innovative Product From The Works™



**Three D
Traffic Works, Inc.**

**MADE IN
USA**

430 N. Varney Burbank CA 91502 Tel: (877) 843-9757 Fax: (818) 841-5096

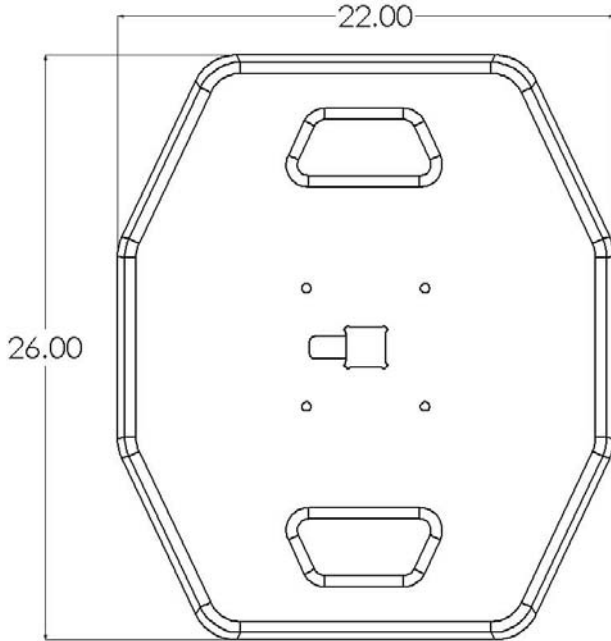
Web: trafficwks.com E-Mail: sales@trafficwks.com



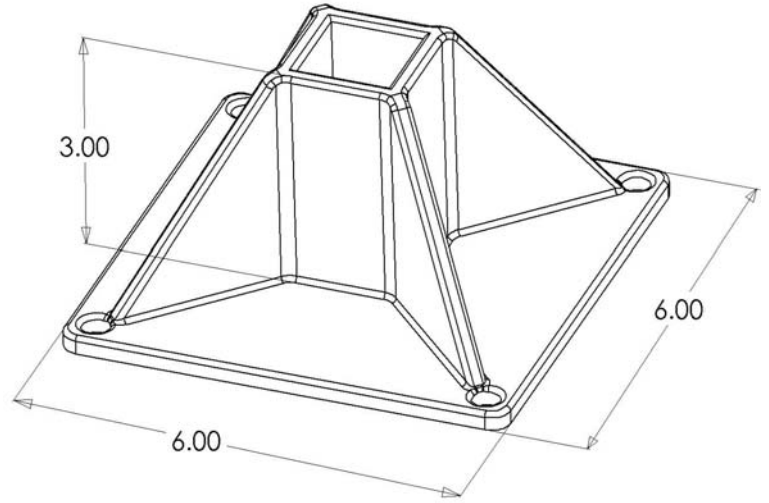
**Three D
Traffic Works, Inc.**

**MADE IN
USA**

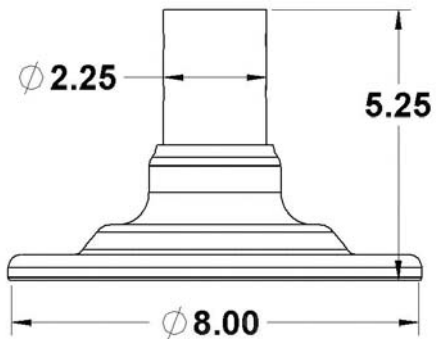
**TD12500 SERIES
ROLL UP SIGN STAND BASE
SPECIFICATIONS**



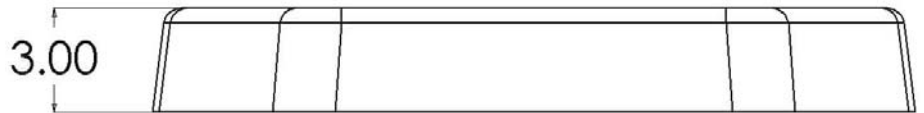
**100% Recycled Crumb
Rubber Base**



Molded Post Holder



Channelflex™



Base Weight: 44 lbs.