

RINGTOP™ STACKABLE CONE

TD7000 SERIES

NCHRP350 CRASH TEST CERTIFIED AND MUTCD STANDARDS



7100 Series
Two Stripes



7200 Series
6" & 4" Stripes



7300 Series
Drum Stripes



100% Recyclable Base



Strong Support
Holds Flasher Lights



Stackable

FEATURES:

- Large handle are insures an easy grip
- Includes a built in caution knob for simple wrap around tape application
- Hassle free warning light placement.
- Manufactured from low density polyethylene utilizing polymer protection UV stabilizer.
- Available in 42" (excluding handle).
- Available with 100% recycled Diamond Series rubber bases in 22 and 32 lbs weights.
- See TD8000 Diamond Bases for benefits.

COLORS AVAILABLE:

The TD7000 Stackable Cones are currently available in Fluorescent Orange. Three D Traffic Works can manufacture this product to your desired color.

GENERAL INFORMATION:

General information is listed on the reverse side. The measurements provided is intended only as a source of information. They are given without guarantee and is not classified as a warranty. A specification will be sent to you upon request.

Another Innovative Product From The Works™



Three D
Traffic Works, Inc.

**MADE IN
USA**

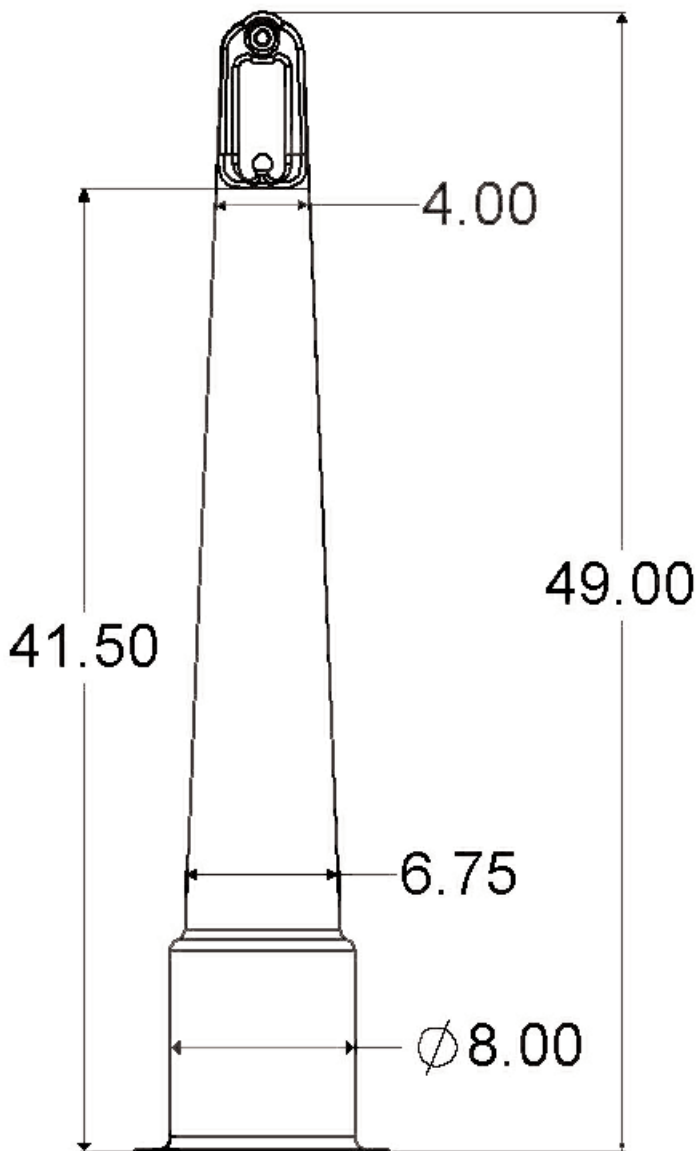


Three D
Traffic Works, Inc.

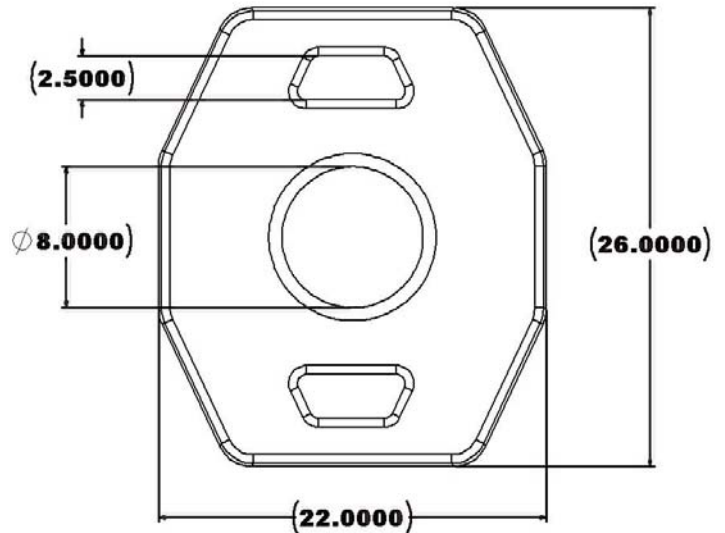
MADE IN
USA

TD7000 SERIES
42" RINGTOP™ STACKABLE CONE
SPECIFICATIONS

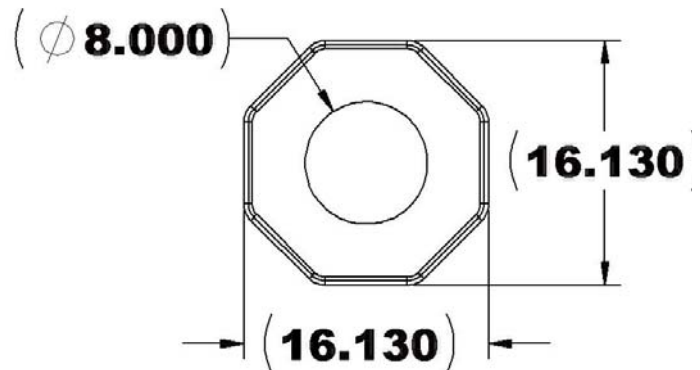
- **Dimensions of Cone:**
Conical Height: 42 Inches
Conical Width at Top: 4 Inches
Conical Width at Base: 8 Inches
Overall Height: 48 Inches
- **Ringtop Stackable Cone is a two-piece design consisting of a 2.5 lb. cone and a 100% recyclable Diamond series rubber base available in 10, 15, 22 and 30 lb. weights.**
- **Material:**
Low Density Polyethylene.
- **Cone has recessed hole for light attachment and leveler pads for light on opposite side.**
- **Cones conform to NCHRP350 Report and Federal standards for nighttime use.**



TD7000 42" Stackable Cone



22 & 32 lb. TD8300 Series
Diamond Series Rectangular Base



10 & 15 lb. TD8300 Series
Diamond Series Octagon Base